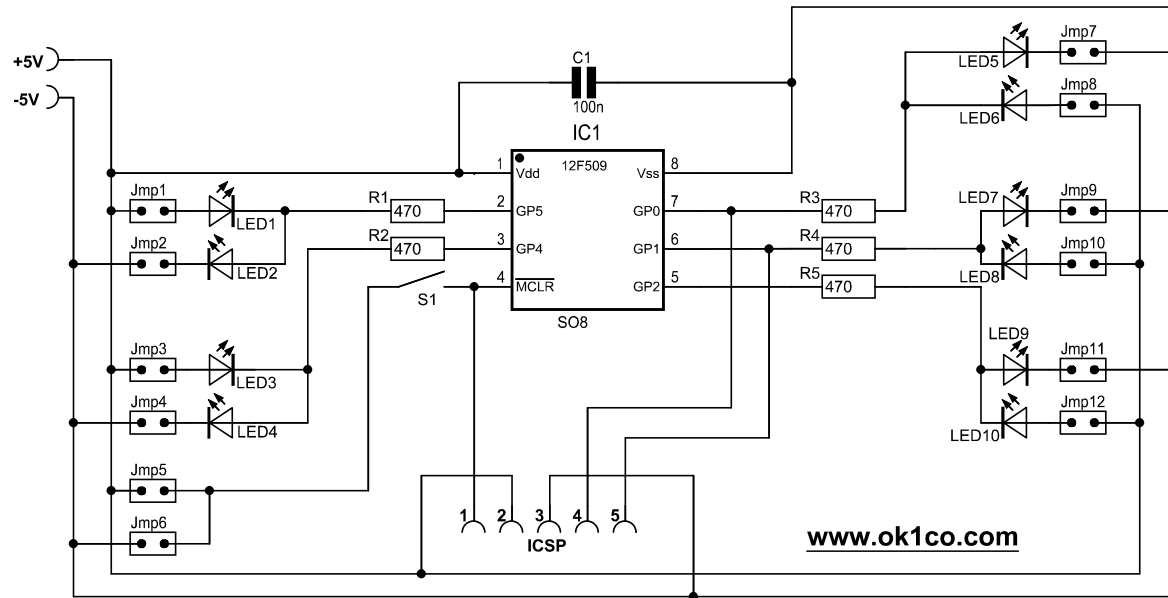


Testboard for PIC12F508/9



Component list

C1 = 0805 100n

IC1 = SO8 PIC12F508 or 509

Jmp1 = jumper

Jmp2 = jumper

Jmp3 = jumper

Jmp4 = jumper

Jmp5 = jumper

Jmp6 = jumper

Jmp7 = jumper

Jmp8 = jumper

Jmp9 = jumper

Jmp10 = jumper

Jmp11 = jumper

Jmp12 = jumper

LED1 = 0805 RED

LED2 = 0805 GREN

LED3 = 0805 RED

LED4 = 0805 GREN

LED5 = 0805 GREN

LED6 = 0805 RED

LED7 = 0805 GREN

LED8 = 0805 RED

LED9 = 0805 GREN

LED10 = 0805 RED

R1 = 470R

R2 = 470R

R3 = 470R

R4 = 470R

R5 = 470R

S1 = TS6